



FEATURES:

- Pressure / Vacuum or Pressure only styles available
- Stainless Steel coil springs for extra durability
- Highest flow rate of any tank vent through a 2 1/2" opening
- PTFE seals and O-Rings are all interchangeable with other major brands



ORDERING INFORMATION:

PART NO.	DESCRIPTION
IM(XX)	Standard 2 1/2" BSP Connection, Tef-O-Sil O-Rings (PTFE), Rugged Cast 316L Stainless Steel Construction, Electro-chemically Polished to a Bright Finish, Tested and Certified with Documentation and a Unique Serial Number
IM(XX)-VV	Same as above, except this model provides vacuum protection as well as pressure relief

For Pressure Settings: Substitute (xx) with pressure rating in bar. For example, GE-IM44 is a relief vent set to discharge at 4.4 bar (63.8 psi)

MATERIALS OF CONSTRUCTION:

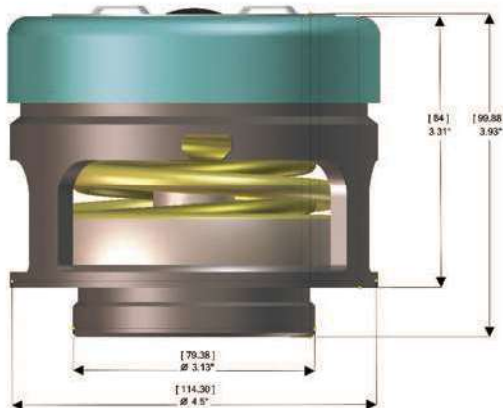
Contact parts are made from 316 stainless steel
Standard O-Rings: PTFE/Encapsulated Silicone

PRODUCT DIMENSIONS:

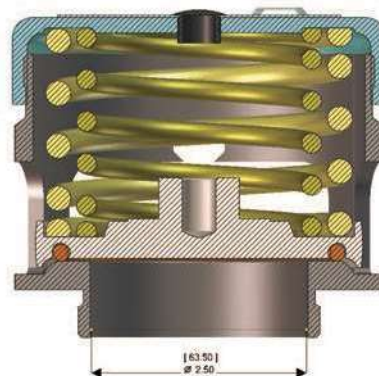
Weight: 6 lbs. (2.72 kg)

PERFORMANCE SPECIFICATIONS:

Pressure Range Capabilities:	From .06 to 11 bar (1 – 160 PSI)
Vacuum Range:	Up to 24" hg
Standard Vacuum Setting:	-2 bar (6" hg)
Test Certificates are supplied with each vent. CE marking available upon request. Type Approval BS EN 4126-1	



Note: Height depends on pressure setting.



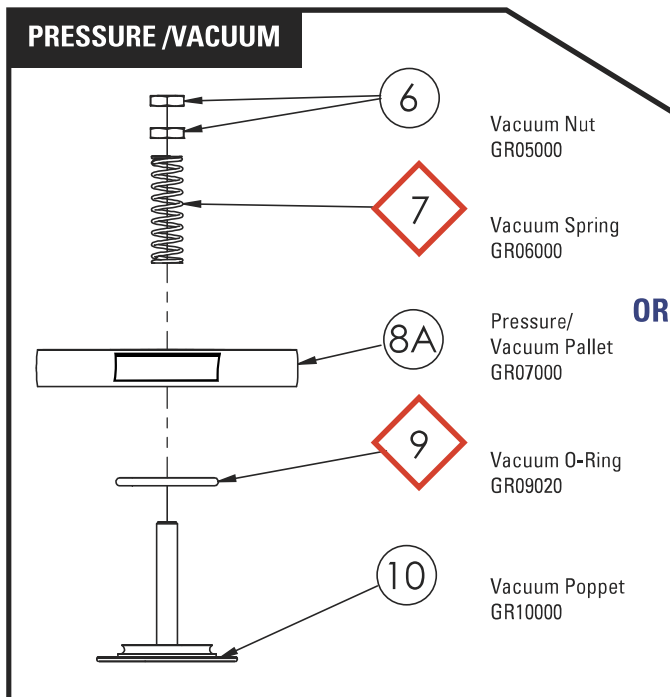
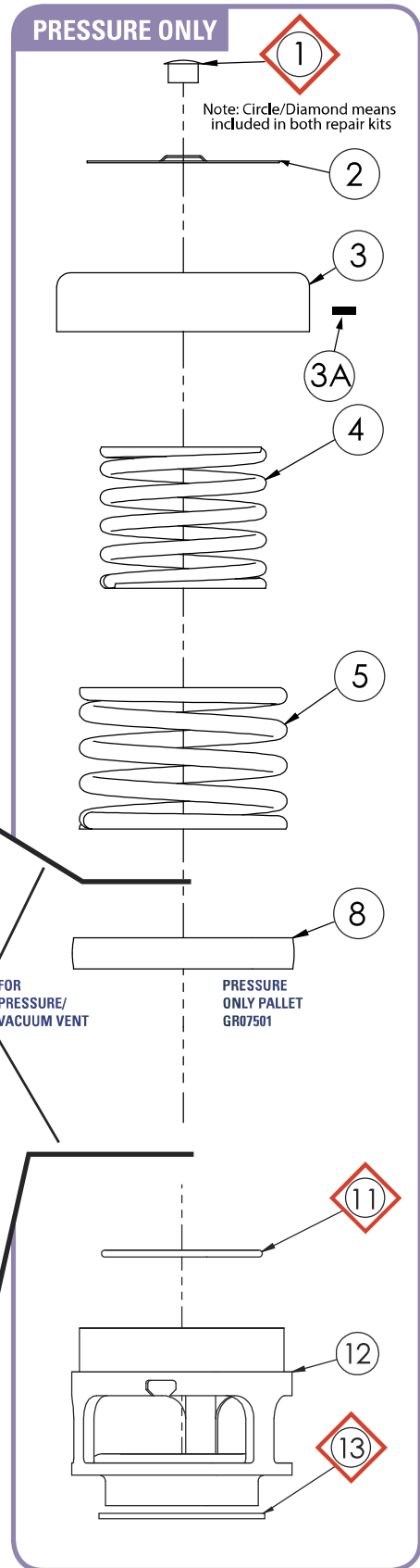
Pressure/Vacuum Combination Relief Vent Shown

ORDERING INFORMATION:		
ITEM NO.	PART NUMBER	DESCRIPTION
◆ ● 1	GR98000	PLUG
2	GR01400	RATING DISC
3	GR02510	CAP
3A	GR03000	SET SCREW
4	GR04410	INNER SPRING (4.4 bar only)
5	GR04400	OUTER SPRING (4.4 bar only)
◆ ● 11	GR08020	PRESSURE O-RING
12	GR11002	2 1/2" BSP MALE - HOUSING
◆ ● 13	GM22030	ORANGE DURA SEAL

ORDERING INFORMATION (PRESSURE ONLY):		
ITEM NO.	PART NUMBER	DESCRIPTION
8	GR07501	PRESSURE ONLY PALLET

ORDERING INFORMATION (PRESSURE / VACUUM):		
ITEM NO.	PART NUMBER	DESCRIPTION
6	GR05000	VACUUM NUT
◆ 7	GR06000	VACUUM SPRING
8A	GR07000	PRESSURE / VACUUM PALLET
◆ 9	GR09020	VACUUM O-RING
10	GR10000	VACUUM POPPET

SEAL KIT:	
GE-IM-SK	O-RING AND SEAL REPLACEMENT KIT (65mm Pressure Vents Only)
●	
GE-IM-SK-PV	O-RING AND SEAL REPLACEMENT KIT (65mm Pressure/Vacuum Vents Only)
◆	



OR FOR PRESSURE/VACUUM VENT

IM Springs	
Bar	Part Number
1 thru 2	GR04410
2.7 thru 3	GR04100
3.3 thru 3.5	GR04410 (inner) and GR04100 (outer)
3.71 thru 5	GR04410 (inner) and GR04400 (outer)
Above 5	Consult with Factory